

Name _____ Date _____



5th Grade: 5.MD.3: Recognize volume as an attribute of solid figures and understand concepts of volume measurement.

a. A cube with side length 1 unit, called a “unit cube,” is said to have “one cubic unit” of volume, and can be used to measure volume.

b. A solid figure which can be packed without gaps or overlaps using n unit cubes is said to have a volume of n cubic units.

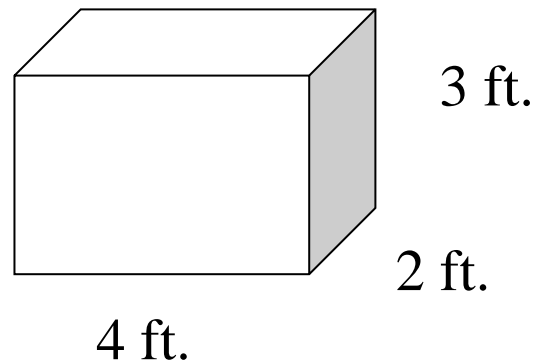
1. Calculate the volume of the box to the below:

a) 9 ft.^2

b) 24 ft.^3

c) 14 ft.^3

d) 20 ft.^3



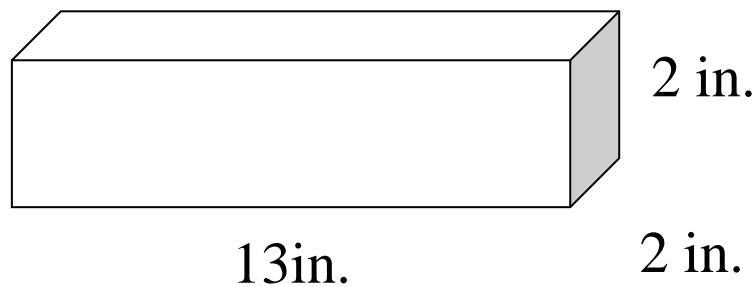
2. Calculate the volume of the box to the below:

a) 17 in^3

b) 26 in^3

c) 52 in^3

d) 1322 in^3



3. A rectangular prism has the following dimensions; it is 15 inches long, 12 inches wide and 7 inches tall. What is its volume?

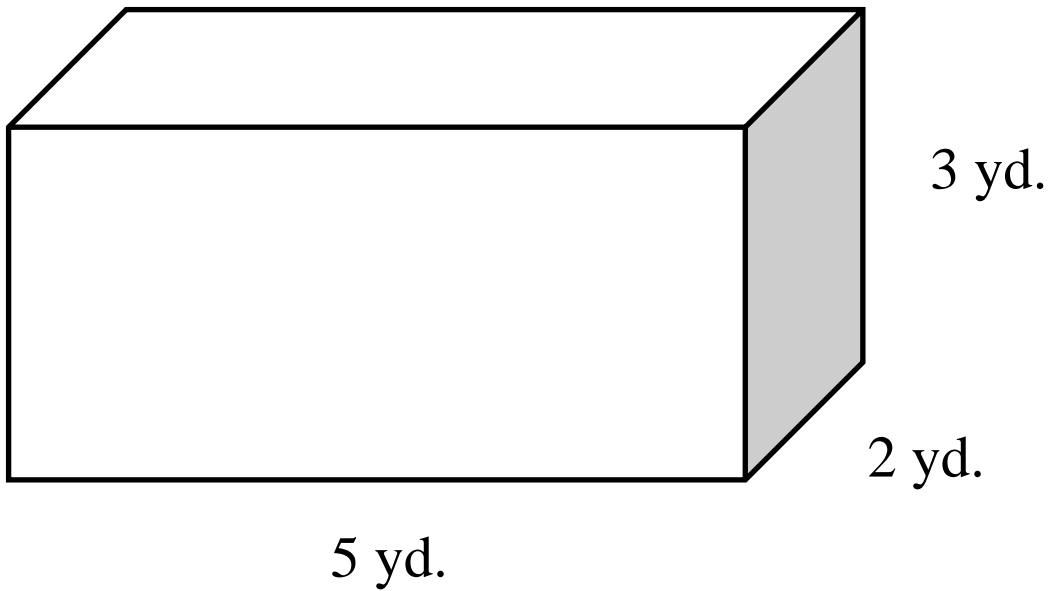
a) $1,260 \text{ ft.}^3$

b) 105 ft.^3

c) 84 ft.^3

d) 34 ft.^3

4. Calculate the volume of the box to the below:



a) 10 yd^3

b) 10 yd^2

c) 30 yd^3

d) 30 yd^2

5. A cube is 5 mm long. What is its volume?

a) 25 mm^2

b) 25 mm^3

c) 125 mm^2

d) 125 mm^3