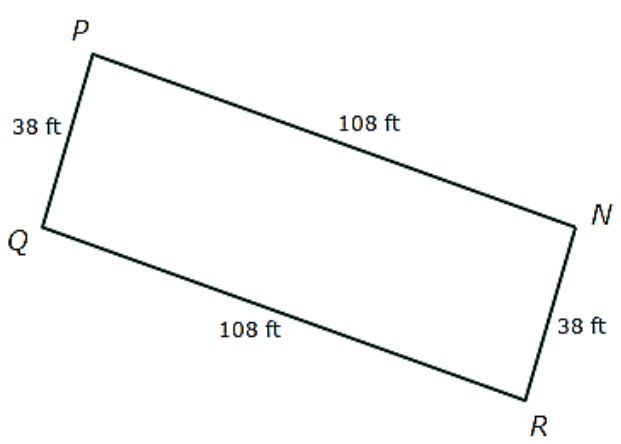
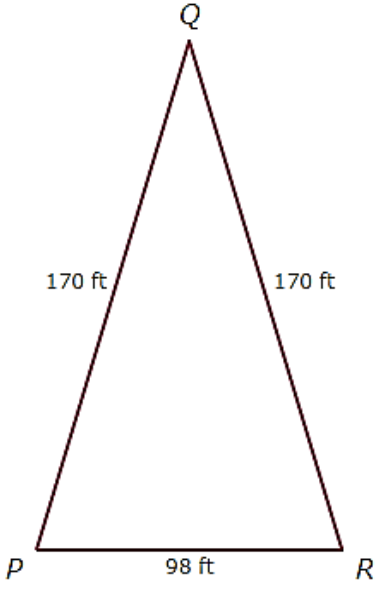
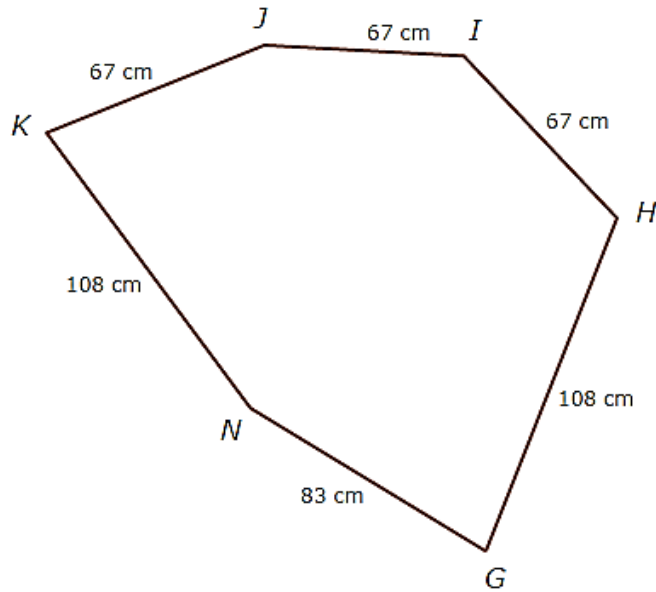
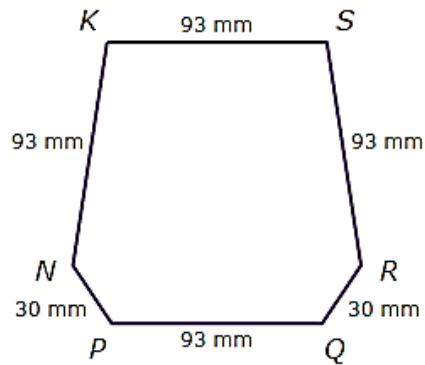
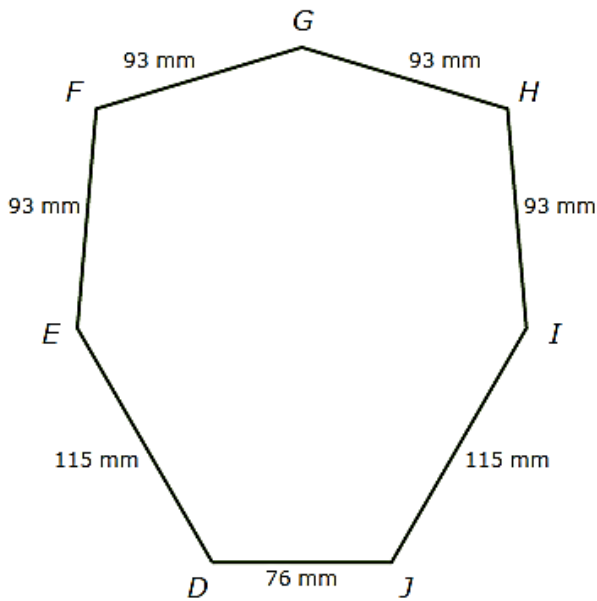


Mark the appropriate column:

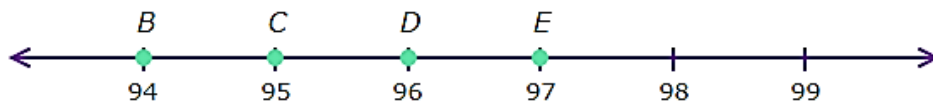
	YES	NO
 <p>1) Are \overline{NP} and \overline{PQ} congruent?</p>		
 <p>2) Are \overline{QR} and \overline{PQ} congruent?</p>		



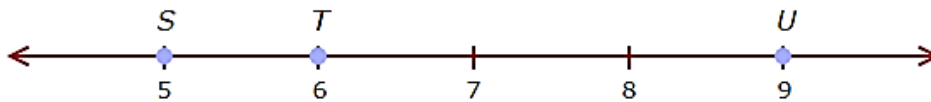
3) Are \overline{GH} and \overline{KN} congruent?



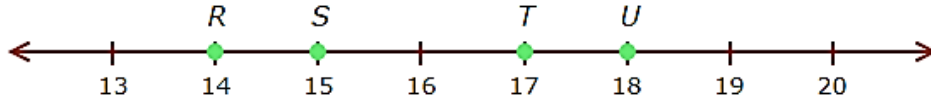
4) Are \overline{IJ} and \overline{QR} congruent?



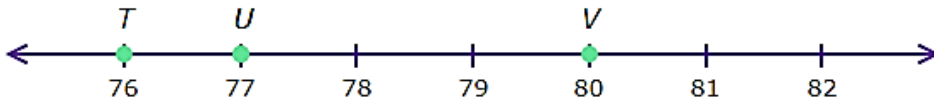
5) Is $\overline{BC} \cong \overline{DE}$?



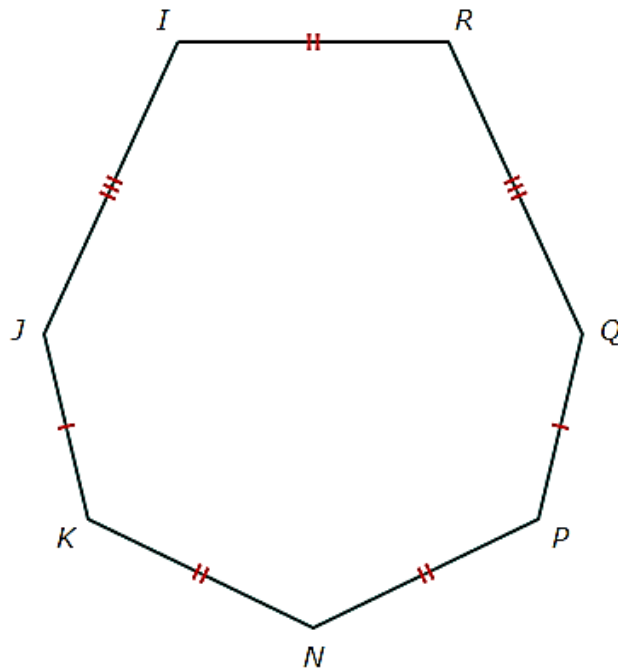
6) Is \overline{ST} congruent to \overline{TU} ?



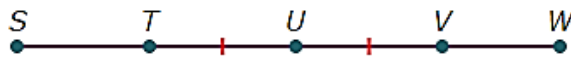
7) Is \overline{SU} congruent to \overline{RT} ?



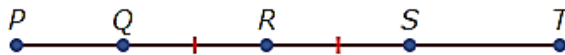
8) Is \overline{TU} congruent to \overline{UV} ?



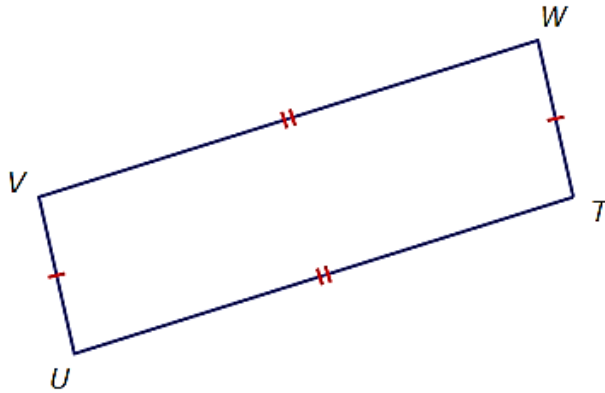
9) Can you conclude that \overline{IR} and \overline{KN} are congruent?



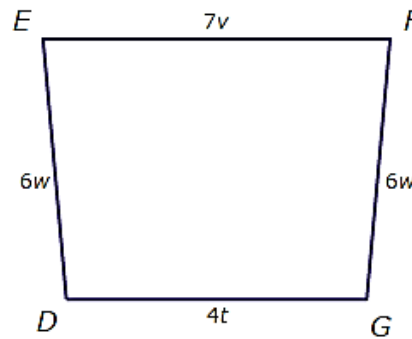
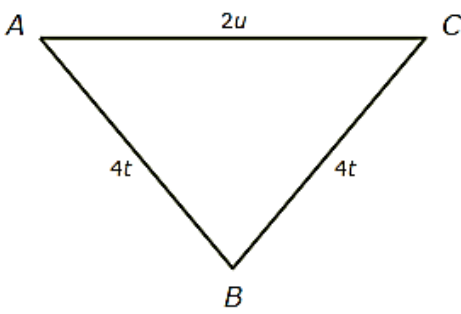
10) Can you conclude that \overline{UV} and \overline{TU} are congruent?



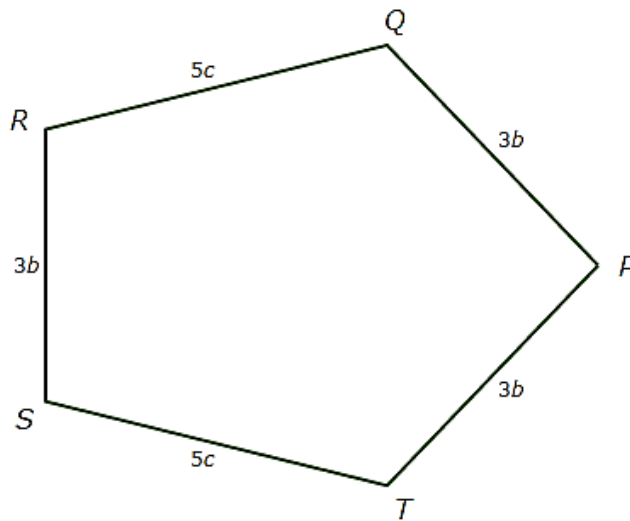
11) Can you conclude that \overline{ST} and \overline{PQ} are congruent?



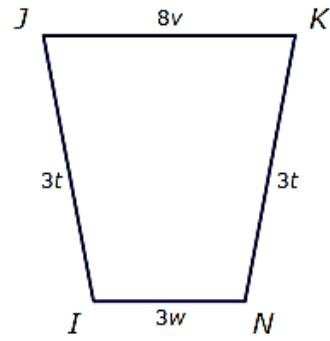
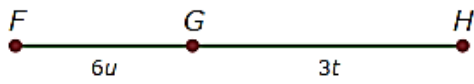
12) Can you conclude that \overline{UV} and \overline{VW} are congruent?



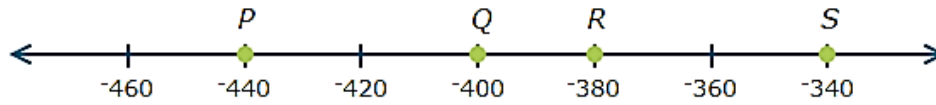
13) Can you conclude that \overline{AB} and \overline{DG} are congruent?



14) Can you conclude that \overline{RS} and \overline{ST} are congruent?



15) Can you conclude that \overline{FG} and \overline{IJ} are congruent?



16) Is \overline{PR} congruent to \overline{QS} ?